

Technical Data Sheet



Catalog No. N48SF2Y-9

Characteristics	
Phase	3
KVA	9
Primary	480Δ
Secondary	208Y/120
Conductor	Aluminum
Temp. Rise	115° C
Frequency	60 HZ
Taps	-2@5%
ESS	Yes
Insulation	180° C
Weathershield	N/A
Wall Bracket	Built-In
Weight (lbs)	270
Sound(dB)	40

Notes

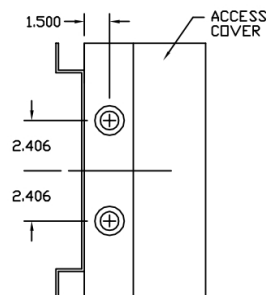
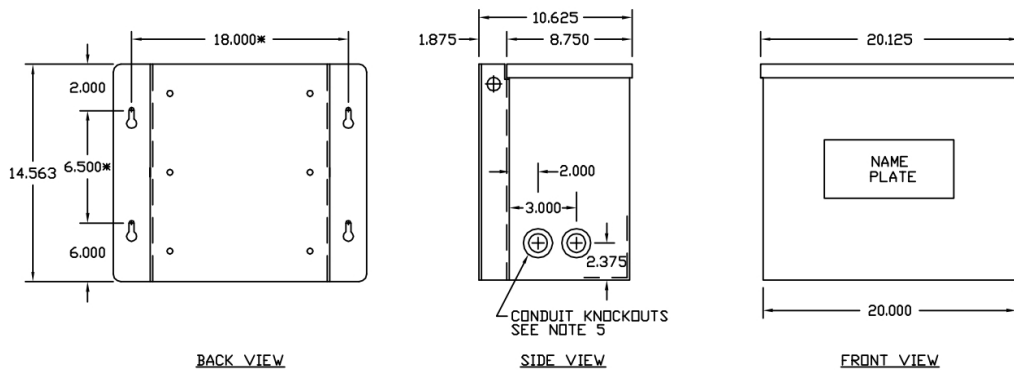
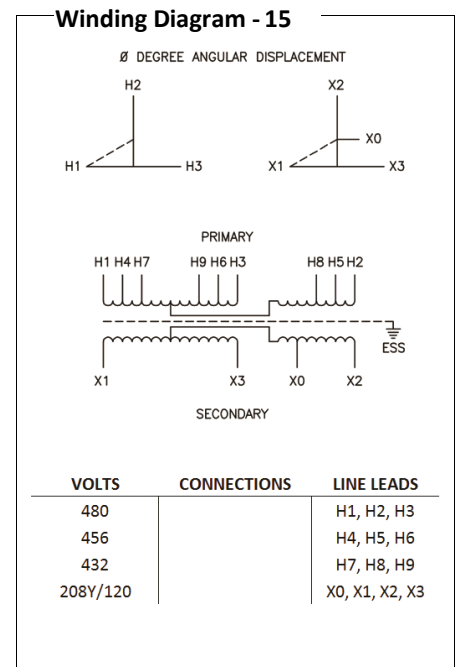
All units are UL listed and are designed in accordance with applicable NEMA, ANSI and IEEE standards.

Transformers are dry-type AA, non-ventilated NEMA 3R enclosure

Transformers are wall mounted. Wall mounting bracket is built into the enclosure.

Paint color is ANSI 61.

AMP Ratings	
Line In (Primary) @ 480V	10.8A
Load (Secondary) @ 208V	25.0 A



Outline No: 08A7634